

# WATERBOY

## WATERBOY HOT WASH

5 & 10 Litre Hot Water Units

Supplier: CETAG/WATERBOY

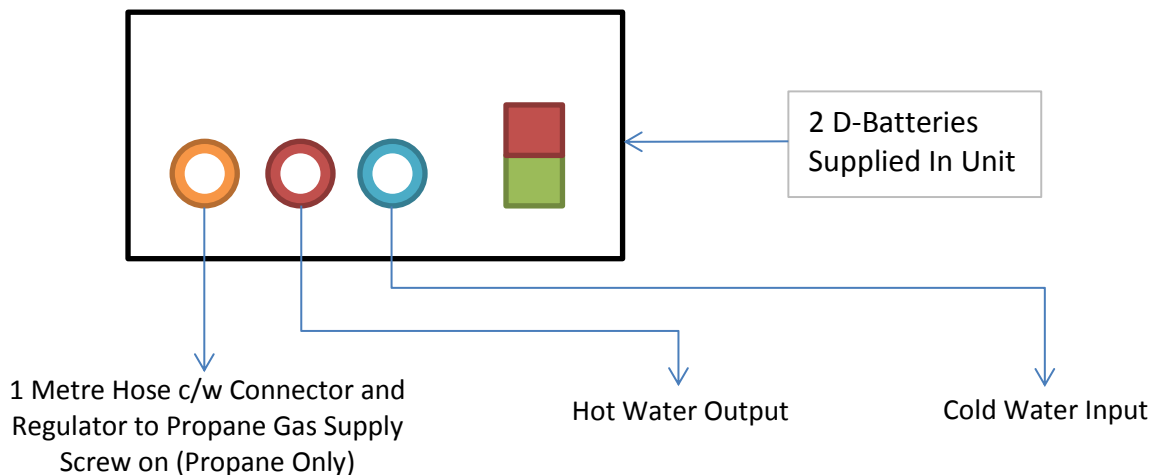
Telephone: 00353 1 8357187

10 Litre, 550H x 328W x 181D (Internal)

10 Litre, 830H x 420W x 320D (External)

5 Litre, 450H x 280W x 129D (Internal)

5 Litre, 695H x 330W x 180D (External)



Note: connector for in/out supplied with unit. Purchaser supplies own hose and fittings for cold water input.

## SET-UP INSTRUCTIONS FOR WATERBOY HOT WASH

- You will need to purchase a cylinder of Propane gas locally AND CONNECT IT TO YOUR MACHINE.
- Regulator with 1 metre hose is supplied with unit. After pushing the hose home on both ends, secure the hose firmly using the two jubilee clamps provided.
- Connect your cold water hose to the WATERBOY using the quick connect hose connector provided, or have your plumber connect a permanent water supply.
- Attach the hosepipe provided to the hot-water connection on one end and the spray-head provided to the other end.
- Set both adjustment knobs to central position (Indicator facing straight up)
- Turn on your gas (VERY IMPORTANT: ENSURE THAT GAS CONNECTIONS ARE SOUND)
- Turn on your HOT water and hot water will flow after a few seconds.
- Adjust knobs to regulate water flow and temperature as required. (Left – Flame Control, Right – Water Flow)
- If there is a problem with flame not coming on or going out check for:
  - Water pressure, needs minimum 0.5 bar – reasonable water flow should be okay.
  - Gas pressure - empty bottle?
  - Check Batteries - if ok "clicking" should be heard when hot tap opened if water flow is sufficient.

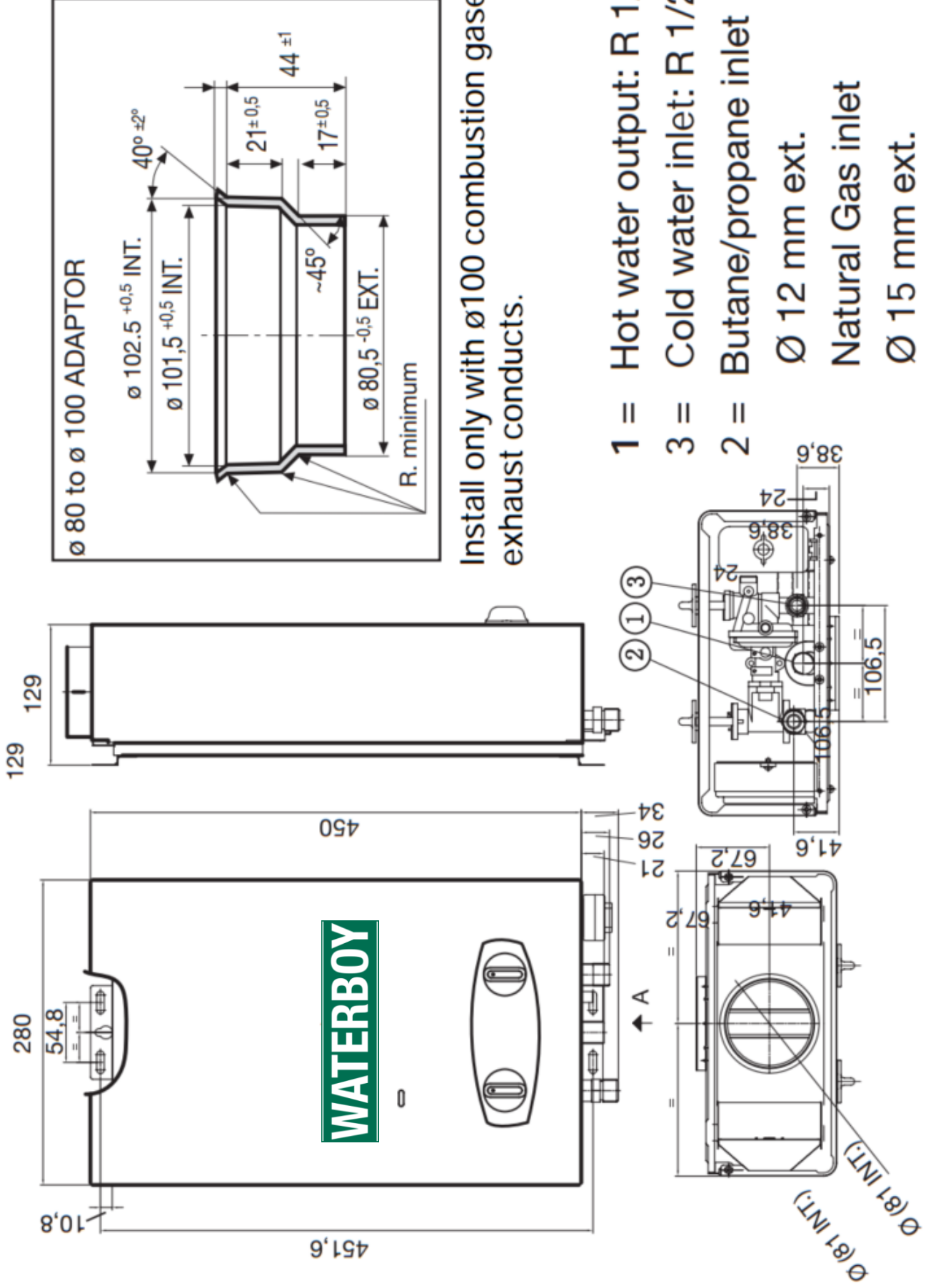
Warranty (12 months) covers defective parts. Items are replaced or repaired on our premises. Carriage not included.

PRIOR TO USE THIS PRODUCT MUST BE APPROVED BY A COMPETANT QUALIFIED PERSON, IN ACCORDANCE WITH ALL LOCAL REGULATIONS

IN FROST IT IS RECOMMENED TO DRAIN THE SYSTEM BY TURNING OFF THE COLD WATER SUPPLY AND DRAINING AT THE HOT AND COLD WATER CONNECTIONS

Cetag Ltd, Unit 13, Ashbourne Business Centre, Ashbourne, Co. Meath | Phone: 01 835 7187 | Email: sales@waterboy.ie

# MODEL 5 I/min



# MODELS 10 and 14 l/min

